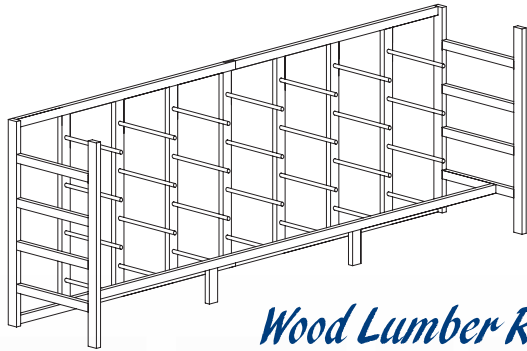


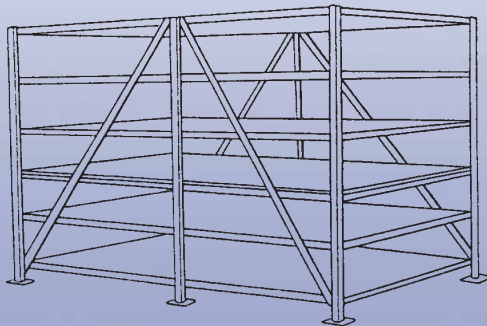
Storage Racks



Wood Lumber Rack

Designed for efficient storage of lumber. Unit constructed of solid maple framing and uprights interlocked with draw bolts at every joint. Finish consists of sealer with multiple coats of lacquer. Unit includes 28 each 1-1/4" diameter iron pipe 20" long located for correct lumber support. Overall size: 13"W x 32"D x 6'H.

LR-13W **Wood Lumber Rack**

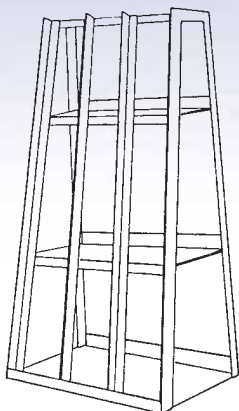


Plywood Storage Rack

Rack designed to accommodate 4' x 8' sheets of plywood. Unit constructed of six 52" x 72" angle frame shelves, completely welded with heavy gauge steel vertical posts and support bars. Color: gray. Decking not included. Choose from plywood end or side loading models. Overall size: 72"W x 55"D x 72"H.

PSR-644 **Plywood Storage Rack - End load**

PSR-644SL **Plywood Storage Rack - Side load**



Vertical Storage Rack

Triangular design for storage of lumber, pipe, rods, etc.. Constructed of heavy gauge metal. Consists of three horizontal short shelves (12"W, 18"W, and 24"W), four vertical storage sections (16"W x 6"D), with guard rail on bottom to hold stock in place. Primed gray. Overall size: 48-3/4"W x 30"D x 100"H.

VSR-277M **Vertical Storage Rack**

Lumber/Plywood Storage Rack

Unit constructed of solid maple and includes ten openings for support pipe. Each upright is furnished with five 1-1/4" dia. iron pipe arms, 20" long (each upright can accommodate up to ten arms). Each upright is designed for mounting directly to the wall, but with the optional steel wall spacer brackets (anchored at top and bottom), the rack places the upright 16" from the wall, offering alternate plywood storage. Overall height: 84".

LR-2WM **10 Arms - 2 Uprights**

LR-3WM **15 Arms - 3 Uprights**

LR-4WM **20 Arms - 4 Uprights**

LR-5WM **25 Arms - 5 Uprights**

LR-6WM **30 Arms - 6 Uprights**

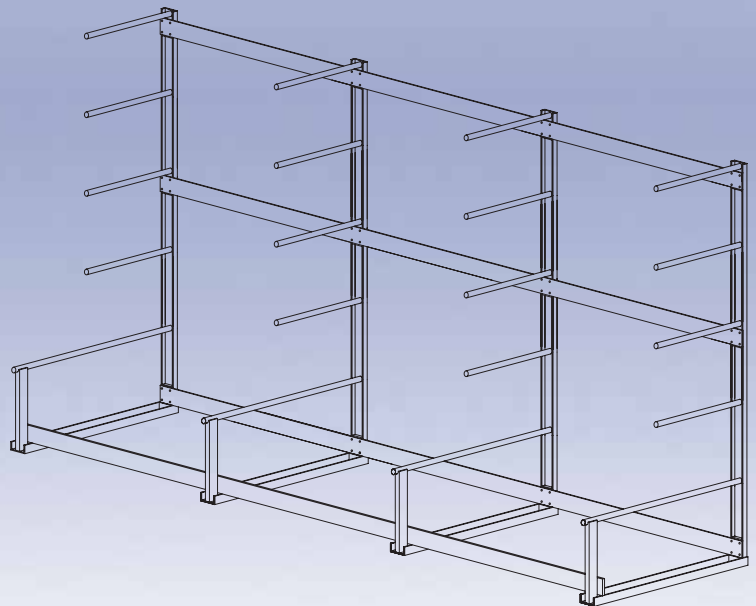
LR-7WM **35 Arms - 7 Uprights**

LR-8WM **40 Arms - 8 Uprights**

LR-9WM **45 Arms - 9 Uprights**

LR-9SB **16" Wall Spacer Brackets (Pair)**

PSA-20 **Extra Pipe Support Arm**



Metal Lumber Rack

Designed for efficient storage of lumber. Constructed of four individual steel upright frames, all welded construction, free standing. Unit provides one shelf 38"D and four shelves 20"D. Each shelf maximum capacity of 400 lbs. Color: gray. Overall size: 12'W x 42"D x 8'H.

LR-12M **Metal Lumber Rack**