

# Art/CAD Table **CDTC-60**



## Accessories

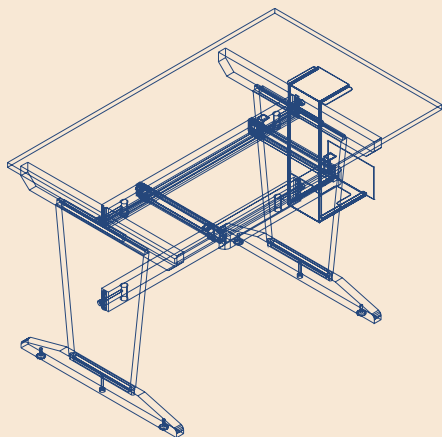
*Standard:*

**Open-style CPU holder**  
gives immediate access  
for repairs or adjustment

**Keyboard Tray**  
made of steel, comes with  
a retractable mouse tray

*Optional:*

**Monitor Arm**  
for flat-panel  
computer screens



**D**esigned to meet limited space and sensitive budget requirements, this Art/CAD table is the perfect solution. The CDTC-60 comes with Shain's legendary construction and stability, and is built to endure years of rigorous service.

This base is constructed of select hardwoods and is constructed with mortise and tenon construction with draw bolt reinforcement throughout. For extra stability, two hardwood truss bars are mounted between the legs. The top is made of commercial grade high-pressure laminate and comes heavy-duty with 3mm edging. The CDTC-60 measures 48" w x 30" d x 30" high—other sizes or modifications are available upon request.

The unit comes standard with a durable keyboard and mouse tray, and an open-style side mounted CPU holder.

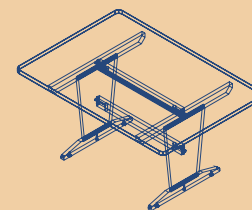
**This unit is a Quick Ship item, shipping in 10-business days or LESS!!**



Standard Product Dimensions: **48" w x 30" d x 30" h**

phone: 800.882.9109  
fax: 814.342.6180





# PT Tables



Shain's best selling table is now available in three different wood species! No longer limited to just Maple, Shain has added Ash and Oak as base options. In addition, you can choose from a number of top sizes, laminates, stains, and heights to complete your project while meeting your specifications. Shown at the right are the PT-62 tables in Maple, Ash, and Oak. The Maple (PT-62PNB) is shown with the Natural Birch top, the Ash (PT-62P-A) with the Natural Almond top, and the Oak (PT-62P-O) with the Neutral Glace top.

Our PT line is designed to be used in most any environment from art to general planning to sewing and model construction. Base unit is constructed of two tapered solid wood pedestal-style panel legs and two solid wood truss bars utilizing mortise and tenon joint construction with draw bolt reinforcement throughout. Base unit is finished with sealer and multiple coats of lacquer. Standard PT measures 60"W x 42"D x 30"H.

Remember, the PT-62P (Maple base with either a Natural Almond top or a Natural Birch top) are Quick Ship items shipping in 10-Working Days or Less!



## Wood Options

### Maple (PT-62PNB)



### Ash (PT-62P-A)



### Oak (PT-62P-O)



## Mortise & Tenon Construction



Shain only uses mortise and tenon construction. This means that every joint is interlocking, where one piece fits securely into another and is then drawn tight with 4" to 5" draw bolts.

Standard Product Dimensions: **60" w x 42" d x 30" h**



phone: 800.882.9109  
fax: 814.342.6180